

# 5G/4G PoE Network Video Recorder

F-NVR200



## Introduction

**F-NVR200** is a 5G/4G PoE network video recorder specially designed for intelligent IoT surveillance system. The NVR can provide long distances and low latency HD video wirelessly by using the industrial 4G/5G module. In addition, F-NVR200 support 16 channels H.265/H.264 video input, has 2 SATA HDDs, the storage capacity up to 12TB. Support third-party ONVIF Profile T cameras, provide the IoT interfaces such as RS232 and RS485 to connect the IoT devices for the IoT applications.



Industrial-grade Design

- ▶ High-performance industrial-grade wireless module
- ▶ Metal casing, protection grade IP30. Metal housing and system safety isolation
- ▶ Industrial-grade components



Stability & Reliability

- ▶ WDT Watchdog design to ensure system stability
- ▶ Support plug & play, automatically set up and start to record
- ▶ Built-in 1.5KV electromagnetic isolation protection for Ethernet interface
- ▶ RS232/RS485 interface power and data isolation with CSA, UL and IEC standards
- ▶ SIM/UIM card interface built-in 15KV ESD protection
- ▶ Built-in reverse phase protection and over voltage protection for power interface



Standard & Convenience

- ▶ Standard RS232, RS485 and Ethernet interfaces
- ▶ Front-end edge integration and equipment intercommunication linkage
- ▶ Easy to use, flexible, multiple working mode options

# 5G/4G PoE Network Video Recorder F-NVR200



High Performance

- ▶ Support various IoT protocol
- ▶ HDMI video output up to 4K (3840X2160) resolution
- ▶ Integrated with most common IoT interfaces
- ▶ Support IPC event trigger & image capture
- ▶ H.265, optimized in bit rate, bandwidth and storage usage, 50% off than H.264.
- ▶ Provide 8/16 PoE ports, support 802.3AF, 802.3AT
- ▶ Support remote management & upgrade

## Product Specification

| Hardware             |  |                 |
|----------------------|--|-----------------|
| Model                | F-NVR200-16C8P   | F-NVR200-16C16P |
| Items                | Contents   |                 |
| CPU                  | ARM Cortex A7 Dual-core 1.3GHz   |                 |
| FLASH                | 128MB  |                 |
| DDR3                 | 1GB  |                 |
| Video                |  |                 |
| Items                | Contents   |                 |
| Input                | 16 channels HD IP Video Input  |                 |
| Output               | 1 x HDMI, Resolution(@30fps): 3840x2160, 1920x1080, 1280x720, 1024x768<br>1 x VGA, Resolution(@30fps): 1920x1080, 1280x720, 1024x768 |                 |
| Decoding Format      | H.265 / H.264  |                 |
| Video Input Protocol | ONVIF (3.0), PELCO, RTSP, etc.   |                 |
| Capability           | 4x1080p@30fps  |                 |
| Recording Resolution | 12MP/8MP/6MP/5MP/4MP/3MP/1080p/UXGA/720p/VGA/4CIF/2CIF/CIF/QCIF  |                 |
| Audio                |  |                 |
| Items                | Contents   |                 |
| Input                | 16 channels from IPC   |                 |
| Audio Compression    | G711-Alaw, G711-Ulaw, AAC-LC   |                 |
| Sample Rate          | 8KHz, 16KHz  |                 |
| Voice Talkback       | 1 channel RCA Input, 1 channel RCA Output<br>ADPCM Format  |                 |
| Storage              |  |                 |
| Items                | Contents   |                 |
| Hard Disk            | 2 x 3.5-Inch, SATA Interface   |                 |
| Capability           | Up to 8TB each HDD (Optional)  |                 |

# 5G/4G PoE Network Video Recorder F-NVR200

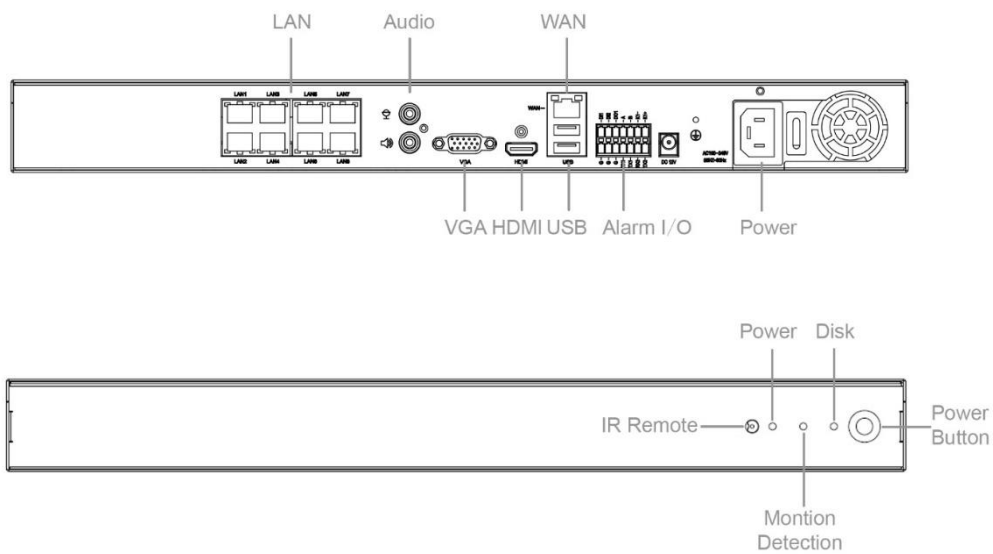


| Interface           |   |                 |
|---------------------|---|-----------------|
| Model               | F-NVR200-16C8P  | F-NVR200-16C16P |
| Items               | Contents  |                 |
| WAN                 | 1 x 10M/100M/1000M RJ45 Ethernet Port   |                 |
| LAN                 | 8 x 10M/100M/1000M RJ45 Ethernet Port<br>Support PoE 802.3af/at   | LAN             |
| Serial Port         | 1 x RS232, 1 x RS485/RS232 Multiplex  |                 |
| USB                 | 2 x standard USB2.0   |                 |
| Digital Input       | 2   |                 |
| Cellular (Optional) |   |                 |
| Items               | Contents  |                 |
| Standard & Band     | 5G NR, 4G LTE FDD, LTE TDD, EVDO, WCDMA, TD-SCDMA, CDMA1X, GPRS/EDGE  |                 |
| Bandwidth           | 5G NR: Downstream rate 3.4Gbps, uplink rate 350Mbps<br>LTE Cat20: Downstream rate 2.0Gbps, uplink rate 150Mbps<br>FDD-LTE: Downstream rate 150Mbps, uplink rate 50Mbps<br>TD-LTE: Downstream rate 130Mbps, uplink rate 35Mbps |                 |
| Transmit Power      | < 23dBm   |                 |
| Sensitivity         | < -97dBm  |                 |
| Power               |   |                 |
| Items               | Contents  |                 |
| Power Supply        | C13 Interface   |                 |
| Power Range         | Non-PoE: DC 12V, AC 110~240V  |                 |
| Power Consumption   | 2.5W in Standby Status,<br>Support Maximum 120W in PoE Mode   |                 |
| WIFI (Optional)     |   |                 |
| Items               | Contents  |                 |
| Standard & Band     | Support IEEE802.11b/g/n, 2.4G, support AP & Client mode   |                 |
| Bandwidth           | IEEE802.11b/g: Maximum speed rate 54Mbps<br>IEEE802.11n: Maximum speed rate 150Mbps   |                 |
| Transmit Power      | 26dBm (11b), 21.5dBm (11g), 20dBm (11n)   |                 |
| Sensitivity         | <-72dBm@54Mbps  |                 |

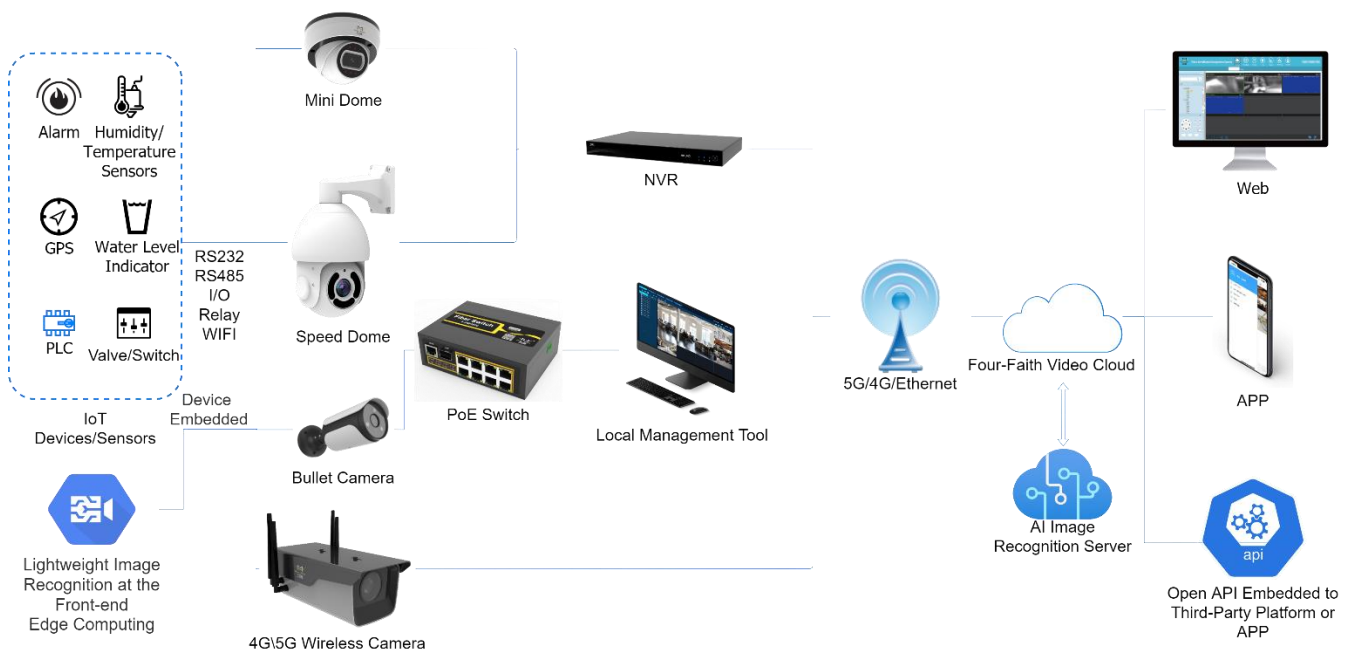
# 5G/4G PoE Network Video Recorder F-NVR200



| General              |                                   |
|----------------------|-----------------------------------|
| Items                | Contents                          |
| Casing               | Metal, IP30                       |
| Dimensions           | 439.8x281x45mm (W x D x H)        |
| Weight (without HDD) | 3.6KG                             |
| Chassis              | 1U chassis                        |
| Working Temperature  | -10°C ~ + 55°C ( +14°F ~ +131°F ) |
| Working Humidity     | 90% (non-condensing)              |



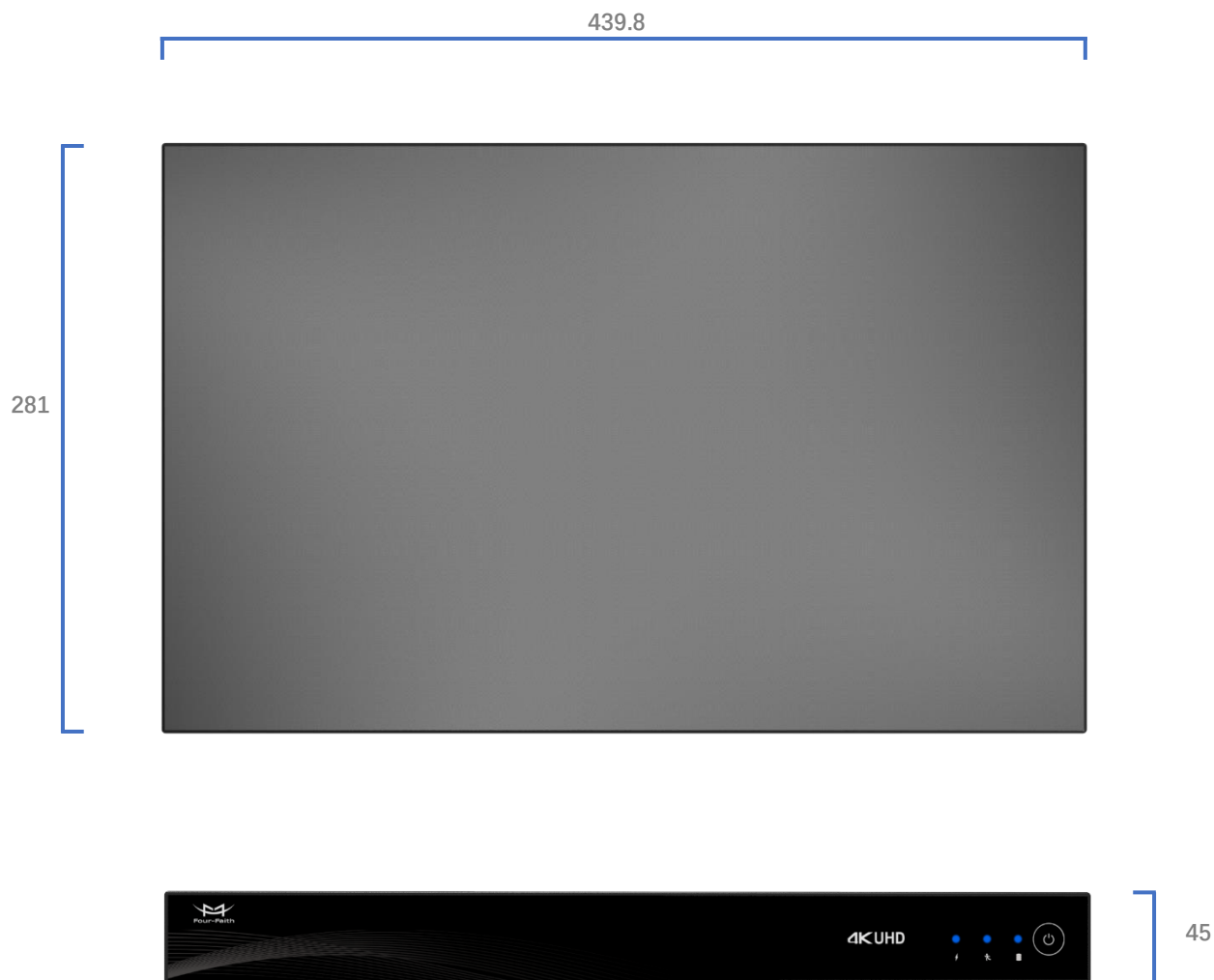
## Topology



# 5G/4G PoE Network Video Recorder F-NVR200



## Dimension (mm)



**Note: There may be differences between models of accessories and interfaces, actual products shall prevail**

# 5G/4G PoE Network Video Recorder F-NVR200



## Order Information

| Models                    | Description   |
|---------------------------|---|
| <b>F-NVR200-16C8P</b>     | 1 X 10/100/1000M WAN RJ45 port, 8 x 10/100M LAN RJ45 ports with PoE   |
| <b>F-NVR200-16C8P-4G</b>  | 1 X 10/100/1000M WAN RJ45 port, 8 x 10/100M LAN RJ45 ports with PoE,<br>High-speed 4G cellular module & 2.4GHz WIFI module  |
| <b>F-NVR200-16C8P-5G</b>  | 1 X 10/100/1000M WAN RJ45 port, 8 x 10/100M LAN RJ45 ports with PoE,<br>High-speed 5G cellular module & 2.4GHz WIFI module  |
| <b>F-NVR200-16C16P</b>    | 1 X 10/100/1000M WAN RJ45 port, 16 x 10/100M LAN RJ45 ports with PoE  |
| <b>F-NVR200-16C16P-4G</b> | 1 X 10/100/1000M WAN RJ45 port, 16 x 10/100M LAN RJ45 ports with PoE,<br>High-speed 4G cellular module & 2.4GHz WIFI module |
| <b>F-NVR200-16C16P-5G</b> | 1 X 10/100/1000M WAN RJ45 port, 16 x 10/100M LAN RJ45 ports with PoE,<br>High-speed 5G cellular module & 2.4GHz WIFI module |